



INSTALLATION INSTRUCTIONS
Tech Support
856-768-5700 EXT 2
TechSupport@LEDGlow.com

Million Color Underbody Kit w/ Bluetooth Connectivity Installation Instructions

Warning: Please check your state and local laws before installing this LED underbody lighting kit. Every state has different policies and procedures in place regarding aftermarket vehicle accessories. LEDGlow is not responsible for any fines that you may receive while using this underbody kit. This kit is for off road use only.

Warning: The installation of this kit is recommended to be installed by a licensed professional. The improper installation of this kit will void all warranties.

The control box that is used to power this lighting kit must be installed in a dry location! Having this part exposed to water or the elements will cause the kit's controller to fail. Any water damage or corrosion to this part will VOID all warranties.

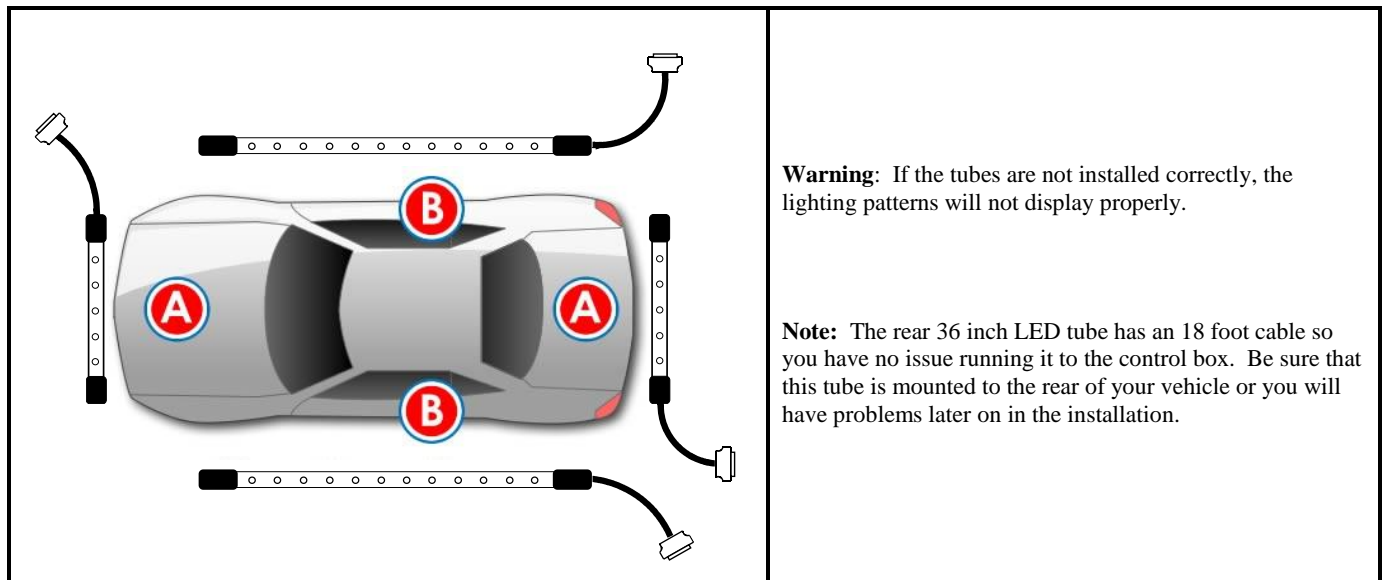
PLEASE READ THE FOLLOWING INSTRUCTIONS THOROUGHLY BEFORE INSTALLING AND OPERATING THIS LED UNDERBODY KIT.

Underbody Kit Includes:

- (2) 36 Inch Tubes (A)
- (2) 48 Inch Tubes (B)
- (1) Bluetooth Enabled Control Box
- (1) Underbody Tube Junction Box
- (14) Underbody Tube Brackets
- (25) Zip Ties
- (30) Large Screws
- (2, 4, or 6) 15 Inch Interior Tubes (if you purchased add on interior tubes)
- (1) Interior Tube Junction Box (if you purchased add on interior tubes)

Underbody Installation:

1. Arrange the tubes out on the ground and test the kit to ensure proper functionality before installing. If you are installing interior tubes as well, mock them up where you plan on installing them to ensure proper illumination.
2. Temporarily power your kit with any 12 volt source to ensure it is functioning properly before you move forward with the installation. Simply connect the red wire to the positive terminal and the black wire to any good ground source. Power the kit on to test for full functionality, using both the buttons on the control box, and also with the LEDGlow Mobile Control App using your iOS or Android device. Once you have determined the kit is functioning properly, remove the power from your kit.
3. **Optional:** Raise and support the vehicle.
4. Before mounting each tube, please refer to the schematic below to ensure correct placement and tube direction.

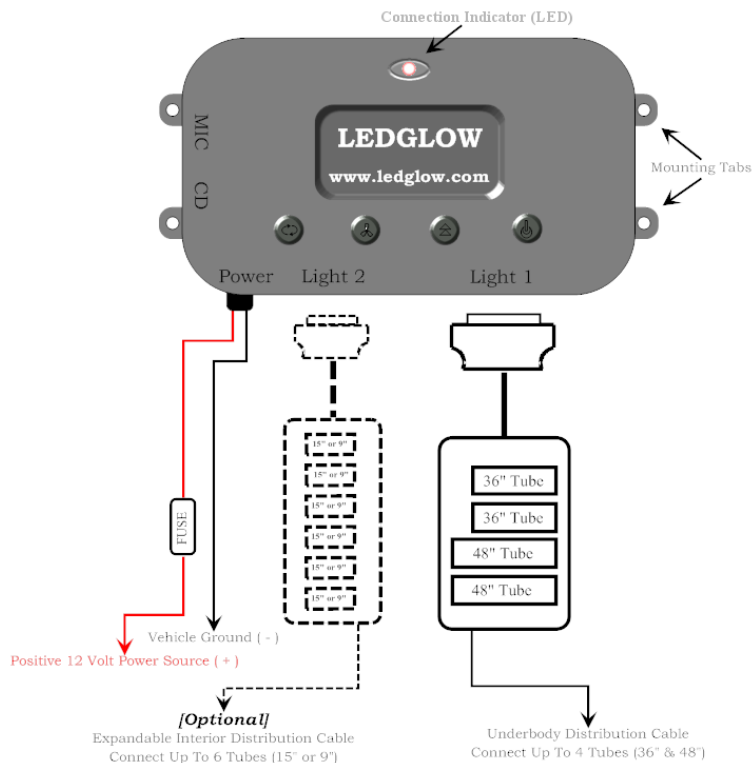


5. Once the kit is laid out properly and you have determined that it is functioning properly, you can proceed with the rest of the installation.
6. First, mount the front tube with the 13 foot lead wire facing the passenger's side to your vehicle using the included mounting brackets and zip ties. Make sure the tube is at least 8 inches away from any direct heat source and away from all moving parts. Use the included wire ties to secure the underbody tube to the mounting bracket. **IMPORTANT: DO NOT DRILL ANY HOLES OR ATTACH THE MOUNTING BRACKETS TO THE RADIATOR.**
7. Second, mount the driver's side tube with the power wire facing the rear of your vehicle, to your vehicle using the included mounting brackets and zip ties. A good mounting location for this tube is either the pinch weld or side skirt. **Be extremely aware of the location of brake lines and fuel lines, and do not mount the underbody tube too close to the exhaust. Leave at least 8 inches between the exhaust and the underbody tube.** Keep the tube and the power wire away from any moving parts. Use the included wire ties to secure the underbody tube to the mounting bracket.
8. Next, mount the passenger's side tube with the power wire facing the rear of your vehicle, to your vehicle using the included mounting brackets and zip ties. A good mounting location for this tube is either the pinch weld or side skirt. **Be extremely aware of the location of brake lines and fuel lines, and do not mount the underbody tube too close to the exhaust. Leave at least 8 inches between the exhaust and the underbody tube.** Keep the tube and the power wire away from any moving parts. Use the included wire ties to secure the underbody tube to the mounting bracket.
9. Now, mount the rear tube with the 18 foot power wire facing the driver's side, to your vehicle using the included mounting brackets and zip ties. **Be extremely aware of the location of brake lines and fuel lines, and do not mount the underbody tube too close to the exhaust. Leave at least 8 inches between the exhaust and the underbody tube.** Keep the tube and the power wire away from any moving parts. Use the included wire ties to secure the underbody tube to the mounting bracket.

INSTALLATION INSTRUCTIONS



Tech Support
856-768-5700 EXT 2
TechSupport@LEDGlow.com



10. Find a safe, secure, and dry place to mount the underbody tube junction box. We recommend mounting the junction box inside the car, if possible. If this is not possible, we suggest mounting the junction box under the hood in the driest location available. The junction box is not designed to be mounted under the hood, and all warranties will be voided if the junction box fails due to improper installation or water damage. **Optional: For extra protection, apply a thin bead of silicone along the seams of the junction box to seal it.**
11. Mount the underbody kit's control box in a safe and secure location inside of your vehicle. Connect the underbody tube junction box's distributor cable to the control box. If the junction box is mounted under your hood, run the lead wire through a pre-existing hole with a grommet in your firewall and to the control box. If you do not have a pre-existing hole in the firewall you can drill one, just be sure to use a rubber grommet to ensure the lead wire is not cut or pinched.

This underbody kit can be powered one of two ways:

- a. Connect the red power wire to any 12 volt source. If you need to extend the power wires, be sure to only use 14 or 16 gauge automotive grade wire. If you are running the power wire to the battery, it must go through the firewall by using an existing grommet or by drilling a hole and adding a new grommet, which is available at any auto parts store. Be sure to install a fuse within 6 inches of the power source. **(You will have to install an additional fuse if you have to extend the wires.) Do not run the wire through the door jam. The wire can be pinched and will void all warranties.**
- b. This underbody kit can also be powered directly from your vehicle's fuse box. If you are powering the kit via the fuse box, LEDGlow recommends that you install the wire using LEDGlow's Add-a-Circuit, which is available on LEDUnderbody.com.

Note: The controller has a built-in power save mode, which is enabled after 8 hours of inactivity with your device. This mode is designed to prevent unnecessary battery drain. If you would like to completely remove power from the controller when not in use, connect the power wires to a 12V switched source.

12. Connect the black wire to a good, unpainted ground source. A couple of good ground sources are under the dash at any main bracket or grounding block, the negative post on your battery, or any engine ground.
13. Beginning with the rear tube, run the power wire to the location of the junction box. Make sure to secure the wires tightly when going around the suspension part and/or exhaust. Leave at least 8 inches between the exhaust and the underbody tube. If a power wire is pinched, the kit may malfunction and the warranty could be voided. Run the rear tube's power wire along one of the side tubes and make sure it is tightly secured. Next, run both side tubes power wires to the junction box. Finally, run the front tube's power wire to the junction box.
14. It is imperative to make sure that the wires are not mounted to any direct heat source or to any moving parts. Any excess length on the tube power wire will have to be bound up and secured tightly.
15. **DO NOT SHORTEN OR CUT ANY OF THE UNDERBODY TUBE POWER WIRES. This will destroy the kit and void all warranties.**
16. Lower the vehicle if it was raised, power on and test the underbody kit for full functionality, not only using the buttons on the control box, but also with the LEDGlow Mobile Control App using your iOS or Android device.
17. Once the vehicle is on the ground, turn the steering wheel as far as it can go in both directions to ensure the tubes and/or wires are not coming in contact with your tires or any other moving parts. **If a tube or wire is damaged by the tire and/or any moving parts the warranty will be voided.**

Note: The "MIC" and "CD" ports on the control box are not utilized and can be ignored.

Optional Interior Add On Tube Installation:

1. Once your underbody kit is installed you can start installing your optional interior lighting tubes.
2. Connect the interior tube junction box, the box with 6 ports, to the port on the control box that is labeled "Light 2"
3. Depending on which kit your purchased will determine tube placement, but you can install these interior tubes anywhere you would like. We recommend either under your dashboard, under your front seats, under the rear seats, or even in your trunk.
Warning: The interior tubes are only intended to be installed to the interior of your vehicle, and are not water resistant. Mounting these tubes outside of the vehicle could cause water damage, and will void LEDGlow's warranty.
Warning: Do not shorten or cut the lead power wires on the interior tubes, this will destroy the kit and void the warranty.
4. Once you have determined the mounting location for your interior tubes, clean any dirt, oil, dust, or cleaning product from the surface using an alcohol prep pad.
5. Using the included 3M tape and screws mount the interior tube clips to your mounting location and snap the interior tubes into the clips. If you are unable to mount the tubes to a flat location using the clips, mount the tubes using the included zip ties.
6. Once you are done mounting all of your interior tubes, run the lead power wire from each tube to the interior tube junction box. Be sure to keep the lead wires away from any moving parts, for example, the pedals, steering column, and/or seat tracks.

IOS is a trademark or registered trademark of Cisco in the U.S. and other countries and is used under license.

Android is a registered trademark of Google, Inc, registered in the U.S. and other countries.

Bluetooth® is a registered trademark of Bluetooth SIG, Inc.



INSTALLATION INSTRUCTIONS
Tech Support
856-768-5700 EXT 2
TechSupport@LEDGlow.com

ONE YEAR NON-TRANSFERRABLE LIMITED WARRANTY AND DISCLAIMER

LEDGlow Lighting, LLC ("LEDGlow") warrants to the original retail consumer purchaser, and not any other purchaser or subsequent owner, that this Product will be free from defects in material or workmanship for a period of **one (1) year** from the purchase date. **This warranty does not cover any Product that is (1) installed incorrectly, or (2) damaged by collisions, vandalism, other accidents, or similar causes.**

For a period of **one (1) year** from the date of purchase, at no charge to the Purchaser, LEDGlow will repair or replace this Product if it is determined by LEDGlow to be defective. After the warranty period, the Purchaser must pay all charges for parts and labor.

Coverage under this warranty is only valid within the United States, including its territories, as well as in certain other countries. Purchasers should check our website, www.LEDGlow.com, to determine the warranty coverage in the countries in which they are located.

LEDGlow does **not warrant the installation** of the Product, which is the sole responsibility of the Purchaser. Installation should be done by licensed professionals. Improper installation may cause damage to the Product and any vehicle in which it is installed, and may cause burns and electrical injury to individuals. LEDGlow's warranty does not cover any expenses incurred in removing Products that are defective or re-installing replacement Products in their place.

During the warranty period, to have the Product repaired or replaced, the Purchaser must return the Product, freight prepaid by the Purchaser, to LEDGlow (but for customers in the contiguous United States, LEDGlow will pay the shipping charges if any Product fails during the first thirty (30) days after purchase). The Product must be returned in its original carton or in a similar package affording an equal degree of protection. LEDGlow will return the repaired or replaced Product, freight prepaid, to the Purchaser. LEDGlow does not provide Purchasers with temporary replacement units during the warranty period or at any other time.

This limited warranty is non-transferrable and will automatically terminate if the original retail consumer purchaser resells the Product or transfers the vehicle on which the Product is installed. An "original retail consumer purchaser" is a person who originally purchases the Product, or a gift recipient of a new Product that is in its original packaging and unopened.

This limited warranty is subject to all of the following terms and conditions:

TERMS AND CONDITIONS

1. NOTIFICATION OF CLAIMS; WARRANTY SERVICE: IF PURCHASER BELIEVES THAT A PRODUCT IS DEFECTIVE IN MATERIAL OR WORKMANSHIP, WRITTEN NOTICE WITH AN EXPLANATION OF THE CLAIM SHALL BE GIVEN PROMPTLY BY PURCHASER TO LEDGLOW. ALL WARRANTY CLAIMS MUST BE MADE WITHIN THE WARRANTY PERIOD, AND ANY PRODUCTS RETURNED TO LEDGLOW MUST BE SHIPPED IN ACCORDANCE WITH LEDGLOW'S PROCEDURES (INCLUDING USE OF RMA NUMBERS SUPPLIED BY LEDGLOW AFTER NOTIFICATION). THE REPAIR OR REPLACEMENT OF ANY PRODUCT OR PART THEREOF SHALL NOT EXTEND THE ORIGINAL WARRANTY PERIOD. THE SPECIFIC WARRANTY ON THE REPAIRED PART ONLY SHALL BE IN EFFECT FOR A PERIOD OF NINETY (90) DAYS FOLLOWING THE REPAIR OR REPLACEMENT OF THAT PART, OR THE REMAINING PERIOD OF THE PRODUCT WARRANTY, WHICHEVER IS GREATER.

2. EXCLUSIVE REMEDY; ACCEPTANCE: PURCHASER'S EXCLUSIVE REMEDY AND LEDGLOW'S SOLE OBLIGATION IS TO SUPPLY (OR PAY FOR) ALL LABOR NECESSARY TO REPAIR ANY PRODUCT FOUND TO BE DEFECTIVE WITHIN THE WARRANTY PERIOD AND TO SUPPLY NEW OR REBUILT REPLACEMENTS FOR DEFECTIVE PARTS. LEDGLOW WILL REFUND THE PURCHASE PRICE FOR SUCH PRODUCT ONLY IF REPAIR OR REPLACEMENT FAILS TO REMEDY THE DEFECT. PURCHASER'S FAILURE TO MAKE A CLAIM AS PROVIDED IN PARAGRAPH 1 ABOVE OR CONTINUED USE OF THE PRODUCT SHALL CONSTITUTE AN UNQUALIFIED ACCEPTANCE OF SUCH PRODUCT AND A WAIVER BY PURCHASER OF ALL CLAIMS THERETO.

3. EXCEPTIONS TO LIMITED WARRANTY: LEDGLOW SHALL HAVE NO OBLIGATION TO PURCHASER WITH RESPECT TO ANY PRODUCT THAT IS SUBJECTED TO ANY OF THE FOLLOWING: ABUSE, IMPROPER USE, NEGLIGENCE, ACCIDENT, MODIFICATION, FAILURE TO FOLLOW THE OPERATING PROCEDURES OUTLINED IN THE USER'S MANUAL, FAILURE TO FOLLOW THE MAINTENANCE PROCEDURES IN THE SERVICE MANUAL FOR THE PRODUCT, ATTEMPTED REPAIR BY NON-QUALIFIED PERSONNEL, OPERATION OF THE PRODUCT OUTSIDE OF THE PUBLISHED ENVIRONMENTAL AND ELECTRICAL PARAMETERS, OR IF THE PRODUCT'S ORIGINAL IDENTIFICATION (TRADEMARK, SERIAL NUMBER) MARKINGS HAVE BEEN DEFACTED, ALTERED, OR REMOVED. LEDGLOW EXCLUDES FROM WARRANTY COVERAGE PRODUCTS SOLD AS IS AND/OR WITH ALL FAULTS. LEDGLOW ALSO EXCLUDES FROM WARRANTY COVERAGE ANY CONSUMABLE ITEMS SUCH AS FUSES AND BATTERIES.

All software and accompanying documentation furnished with, or as part of the Product is furnished "AS IS" (i.e., without any warranty of any kind), except where expressly provided otherwise in any documentation or license agreement furnished with the Product.

4. PROOF OF PURCHASE; REGISTRATION: The Purchaser's dated bill of sale must be retained as evidence of the date of purchase and to establish warranty eligibility. Registration of any Product or of this limited warranty is voluntary, and failure to register will not diminish any rights available under this warranty.

DISCLAIMER OF WARRANTY

EXCEPT FOR THE FOREGOING WARRANTIES, LEDGLOW HEREBY DISCLAIMS AND EXCLUDES ALL OTHER WARRANTIES, EXPRESS OR IMPLIED, INCLUDING, BUT NOT LIMITED TO ANY IMPLIED WARRANTIES OF MERCHANTABILITY, FITNESS FOR A PARTICULAR PURPOSE, OR ANY WARRANTY WITH REGARD TO ANY CLAIM OF INFRINGEMENT THAT MAY BE PROVIDED IN SECTION 2-312(3) OF THE UNIFORM COMMERCIAL CODE OR IN ANY OTHER STATE STATUTE.

LIMITATION OF LIABILITY

THE LIABILITY OF LEDGLOW, IF ANY, AND PURCHASER'S SOLE AND EXCLUSIVE REMEDY FOR DAMAGES FOR ANY CLAIM OF ANY KIND WHATSOEVER, REGARDLESS OF THE LEGAL THEORY AND WHETHER ARISING IN TORT OR CONTRACT, SHALL NOT BE GREATER THAN THE ACTUAL PURCHASE PRICE OF THE PRODUCT FOR WHICH SUCH CLAIM IS MADE. IN NO EVENT SHALL LEDGLOW BE LIABLE TO PURCHASER FOR ANY SPECIAL, INDIRECT, INCIDENTAL, OR CONSEQUENTIAL DAMAGES OF ANY KIND INCLUDING, BUT NOT LIMITED TO, COMPENSATION, REIMBURSEMENT OR DAMAGES ON ACCOUNT OF THE LOSS OF PRESENT OR PROSPECTIVE PROFITS OR FOR ANY OTHER REASON WHATSOEVER.

GOVERNING LAW: This non-transferrable limited warranty shall be governed by the law of the State of New Jersey, U.S.A., and the United States of America, excluding their conflicts of laws principles. The courts of Camden County, New Jersey, shall have the exclusive jurisdiction over any legal action with respect to this warranty.

This limited warranty gives specific legal rights. You may also have other rights that may vary from state to state or from country to country. Some states or countries do not allow the exclusion or limitation of incidental or consequential damages, so the above limitations and exclusions may not apply to you. You are advised to consult applicable state or country laws for a full determination of rights.